



**ZEA-05A is a series of high quality actuators intended for control of chilled water or hot water valves.**

- \* Three-point floating control, 24 or 230 VAC
- \* Robust enclosure
- \* Manual override
- \* Stroke preset at 20 mm

**Function**

ZEA-05A is a series of valve actuators intended for the most common plug type of control valves available in the market.

The actuators are of the 3-point floating (increase-decrease) signal type. Options are available for a potentiometric feedback of the valve position or open/close limit switch.

**Field of application**

The actuator is used to operate valves for chilled water, hot water and steam applications.

**Manual Override**

Manual override is available as standard. The gearing can be disengaged by simply pulling the lever located below the manual hand-wheel and swing to one side. When done, the actuator can be operated by rotating the hand-wheel to any position.

**Improved functional safety**

The actuator stops automatically when it reaches the actuator end stop. Limit switches are pre-calibrated in the factory for 20 mm stroke.

**Simple installation**

The actuator is fitted with a universal "C" clamp for quick and easy mounting directly on the valve connector. Coupling nuts can be provided for all type of connection - mushroom head or screw joints. Red and blue indicators on the linkage bracket provide visual indication of the valve position.

Note: The valve actuator can be adapted on valves of the brands. Please consult factory for full range of accessories for adapting onto valves of other make.

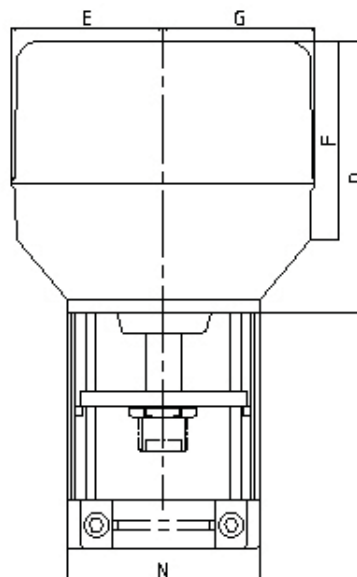
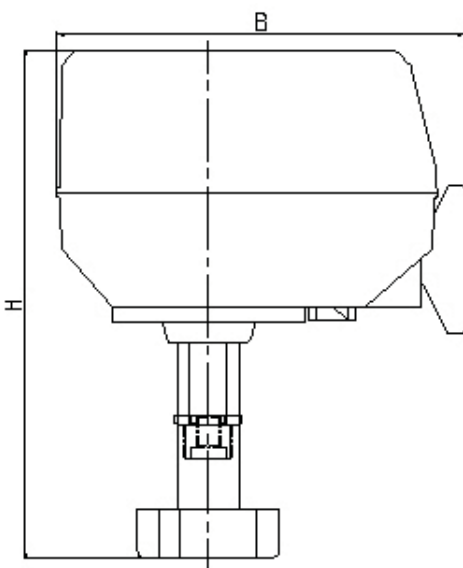
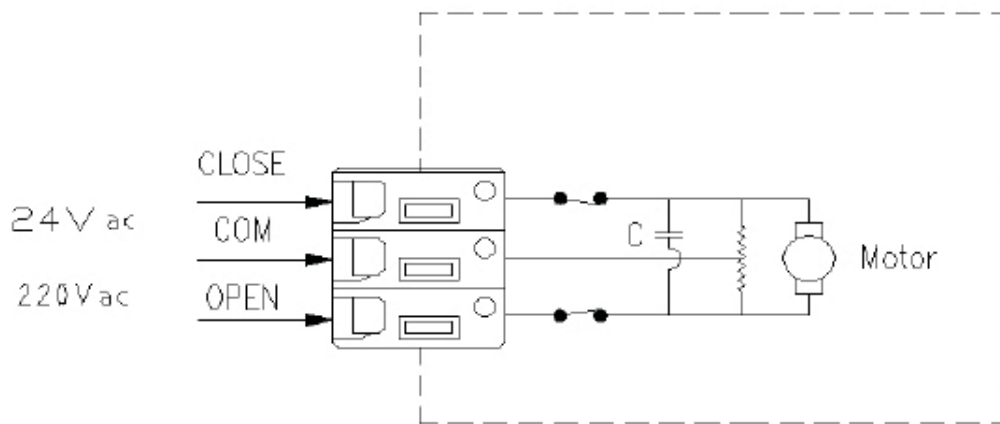
**Model**

	<b>Control signal</b>	<b>Supply voltage</b>	<b>Force</b>
<b>ZEA-05A-24</b>	Three-point	24 VAC	500 N
<b>ZEA-05A-230</b>	Three-point	230 VAC	500 N

## Technical Data

Supply voltage	24 VAC or 230 VAC
Control signal	3 point floating
Transformer sizing	13 or 10 VA
Stroke	20 mm preset, adjustable at site with end limit switches
Stroke time	55 s
Force	500 N
Ambient temperature	-5...50°C
Storage temperature	-30...65°C
Ambient humidity	Max 95% RH
Cable connection	Screw terminals
Degree of protection	IP54
Weight	2.7 Kg

## Wiring and dimensions



B	168
H	208
D	111
F	81
E	62
G	62
N	79