



The ZRHT is a wall mounted room transmitter for measuring humidity in enclosed space

- Output signal 4...20 mA or 0-10 VDC
- Accuracy +/- 2%
- Measuring range 10...90%
- Quick response time

Function

ZRHT is intended for wall mounting for measuring humidity in ambient space.
The transmitter is supplied with a wall pattress and is available with 4...20 mA current output signals, 2 or 3 wire.
The sensor should be mounted at a height of 1.5 m.

If possible, mount the unit away from windows, door, air ventilation holes, near to heat sources to prevent errors in measurement

See below for models on 2/3 wire types.

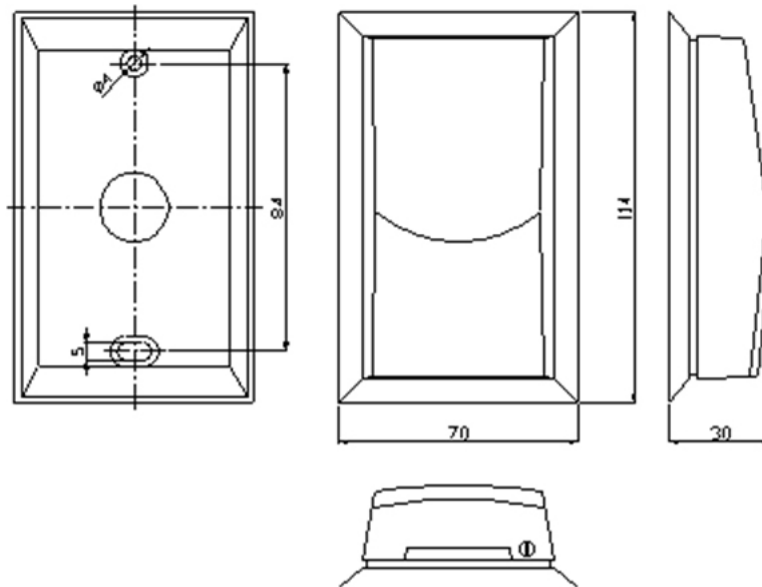
Model

	No. of Wires	Output
ZRHT-420/2	2 wire	4...20mA
ZRHT-420/3	3 wire	4...20mA
ZRHT-010/3	3 wire	0-10VDC

Technical Data

Supply Voltage	DC 15 ~ 30V	Working Temperature	-10 ~ +60 °C
Output Signal	4 ~ 20 mA / 0-10 VDC	Storage Temperature	-10 ~ +80 °C
Range	0...100% RH	Ambient Humidity	5 ~ 95 % Rh
Sensing Element	Capacitive Polymer Cell	Protection Class	IP 30(EN60529)
Accuracy	+/- 2%, at 10...90% RH	Weight	0.1 Kg
Wiring	2/3 Wire	Dimension	70(w) x 114(h) x 30(d) mm
Sensing Time	4...5 Sec.		

Dimensions



Wiring

