



The ZDTT is a duct mounted temperature transmitter for measuring temperature in air-conditioning ducts

- Output signal 4...20 mA or 0-10VDC
- Accuracy +/- 0.2°C
- Measuring range -20...+80°C
- Quick response time

Function

ZDTT is intended for mounting in air-conditioning ducts for measuring air temperature.

The transmitter is supplied with a duct mounting bracket for easy insertion and removal of the transmitter and is available with 4...20 mA current output signals, 2 or 3 wire and 3-wire 0-10VDC.

The sensor should be mounted at a location where the air flow is constant to measure the average spot temperature.

If possible, mount the unit away from air turbulences and away from immediate cooling coil to avoid water condensation.

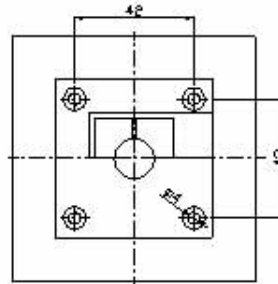
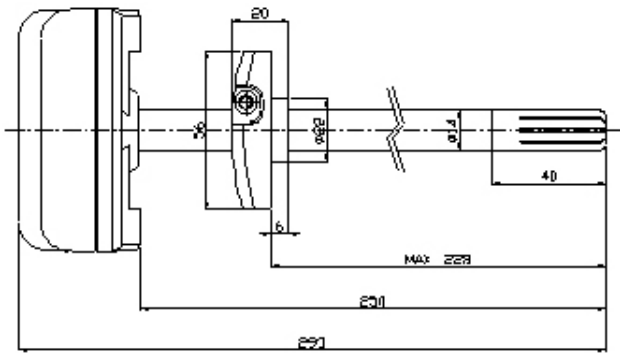
Model

	No. of Wires	Output
ZDTT-420/2	2 wire	4...20mA
ZDTT-420/3	3 wire	4...20mA
ZDTT-010/3	3 wire	0-10VDC

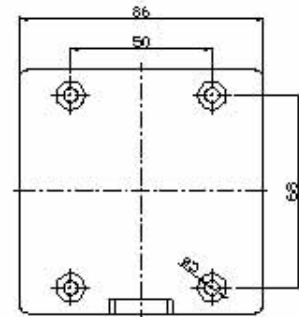
Technical Data

Supply Voltage	DC 15 ~ 30V	Sensing Time	5...20 Sec.
Output Signal	4 ~ 20 mA / 0-10 VDC	Working Temperature	-10 ~ +60 °C
Range	-20 ~ +80°C	Storage Temperature	-10 ~ +80 °C
Sensing Element	Bandgap(SMD)	Ambient Humidity	5 ~ 95 % Rh
Self generating current	below 2mA	Protection Class	IP 30(EN60529)
Accuracy	+/- 0.2°C, at 20°C	Weight	0.29 Kg
Wiring	2/3 Wire	Dimension	86(w) x 86(h) x 43(d) mm

Dimensions



USING BRACKET



NOT USING BRACKET

Wiring

