



**The ZRTT is a wall mounted room temperature transmitter for measuring temperature in enclosed space**

- Output signal 4...20 mA or 0-10 VDC
- Accuracy +/- 0.2°C
- Measuring range -10..50°C
- Quick response time

#### Function

ZRTT is intended for wall mounting for measuring temperature in ambient space. The transmitter is supplied with a wall pattress and is available with 4...20 mA current output signals, 2 or 3 wire. The sensor should be mounted at a height of 1.5 m.

If possible, mount the unit away from windows, door, air ventilation holes, near to heat sources to prevent errors in measurement

See below for mdels on 2/3 wire types.

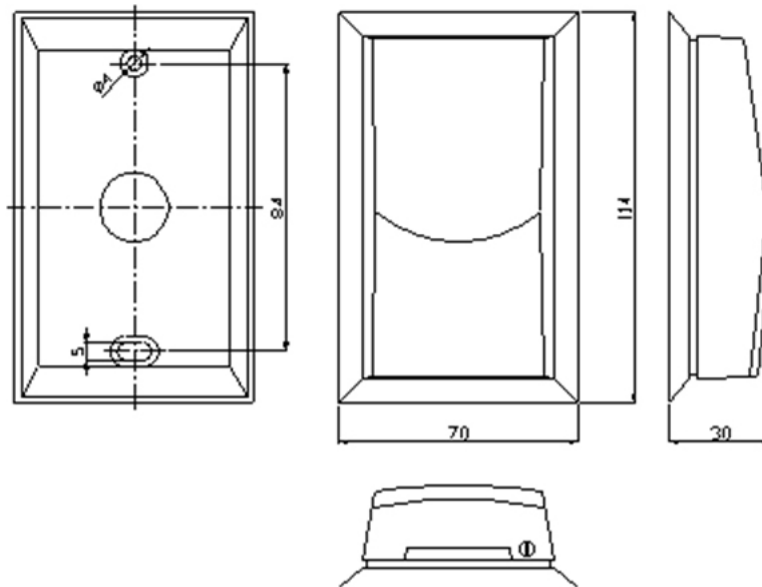
#### Model

	No. of Wires	Output
ZRTT-420/2	2 wire	4...20mA
ZRTT-420/3	3 wire	4...20mA
ZRTT-010/3	3 wire	0-10VDC

## Technical Data

Supply Voltage	DC 15 ~ 30V	Sensing Time	5...20 Sec.
Output Signal	4 ~ 20 mA / 0-10 VDC	Working Temperature	-10 ~ +60 °C
Range	-10 ~ +50°C	Storage Temperature	-10 ~ +80 °C
Sensing Element	Bandgap(SMD)	Ambient Humidity	5 ~ 95 % Rh
Self generating current	below 2mA	Protection Class	IP 30(EN60529)
Accuracy	+/- 0.2°C, at 25°C	Weight	0.1 Kg
Wiring	2/3 Wire	Dimension	70(w) x 114(h) x 30(d) mm

## Dimensions



## Wiring

