



Type A



Type B

The ZPTT is an immersion temperature transmitter for measuring temperature in liquids

- Output signal 0...10 V DC or 4...20 mA
- Accuracy +/- 0.3°C
- Measuring range 0..150°C
- Protection class IP54 or IP65

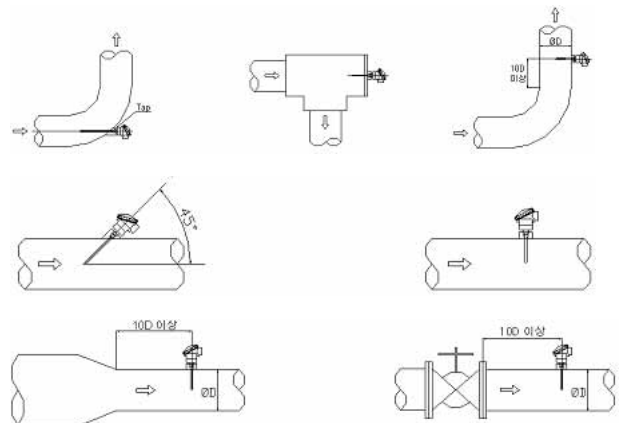
Function

ZPTT is intended for immersion mounting for measuring temperature in liquids. The transmitter is supplied with a 130 mm probe and is available with 0...10 V DC or 4...20 mA output signals, 2 or 3 wire.

The sensor should be mounted at a bend in the piping using a T-joint. The thread is 1/2" pipe thread. If possible, mount the unit with the probe pointing towards the flow direction.

Casing

Type A casing provide IP54 protection class.
Type B casing provide IP65 protection class.



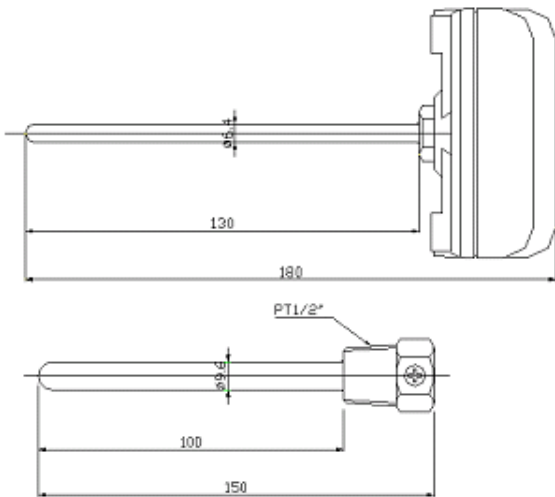
Model

	Casing	No. of Wires	Output
ZPTT-420/2A	Type A	2 wire	4...20mA
ZPTT-420/2B	Type B	2 wire	4...20mA
ZPTT-420/3A	Type A	3 wire	4...20mA
ZPTT-420/3B	Type B	3 wire	4...20mA
ZPTT-010/2A	Type A	2 wire	0...10V
ZPTT-010/2B	Type B	2 wire	0...10V
ZPTT-010/3A	Type A	3 wire	0...10V
ZPTT-010/3B	Type B	3 wire	0...10V

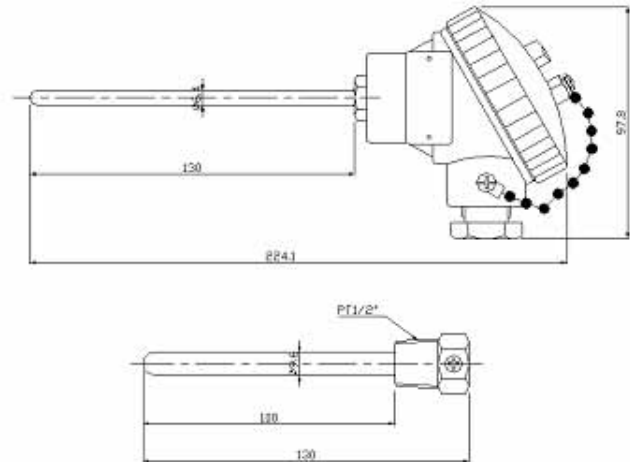
Technical Data

Supply Voltage	DC 15 ~ 30V	Storage Temperature	-10 ~ +80 °C
Output Signal	4 ~ 20 mA/0 ~ 10 Vdc	Ambient Humidity	5 ~ 95 % Rh
Range	0 ~ +150°C	Protection Class	IP 54/65
Accuracy	+/- 0.3°C	Weight	0.46 Kg(W/WELL)
Wiring	2/3 Wire	Length	130 mm
Sensing Time	Approx. 20 Sec.	Cover	Aluminum die-cast
Working Temperature	-30 ~ +150 °C	Well	SS304

Dimensions



Type A



Type B

Wiring

