



The ZGR is a wall mounted room transmitter for measuring temperature and humidity in enclosed space. A large LCD display allows the measurements to be viewed.

- Output signal 0...10Vdc or 4...20mA
- Accuracy +/- 0.2°C (temp); +/- 2% (RH)
- Measuring range -20..60°C; 10...90% RH
- Quick response time

**Function**

ZGR is intended for wall mounting for measuring temperature and humidity in ambient space. The transmitter is supplied with a wall pattress and terminals for ease of installation. The sensor should be mounted at a height of 1.5 m. If possible, mount the unit away from windows, door, air

ventilation holes, near to heat sources to prevent errors in measurement. Applications would be for the pulp, textile and food warehouse, greenhouse, computer room, R&D room and hospital, etc

**Model**

ZGR- X X X

**Type**

1. Temperature
2. Humidity
3. Temperature & Humidity

**Range**

1. -10 to +50°C
2. -20 to +60°C
3. 0 to 100 % RH
4. -10 to +50°C / 0 to 100 % RH
5. -20 to +60°C / 0 to 100 % RH
6. Others

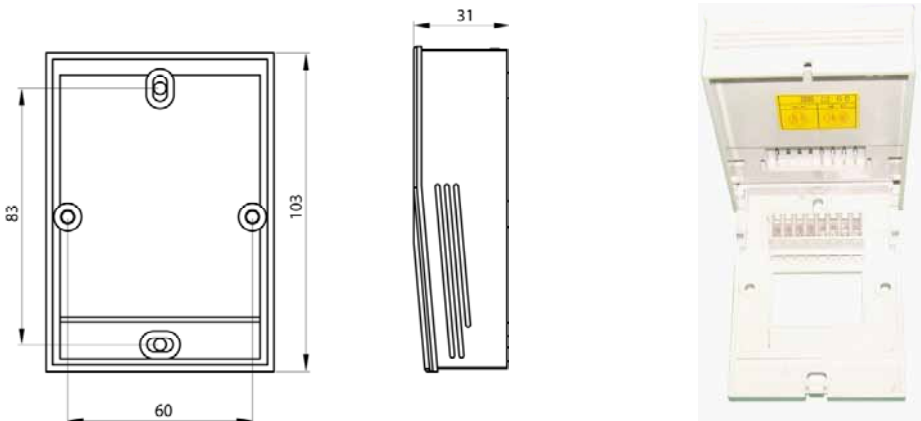
**Output**

- A. 0-10VDC
- B. 1-5VDC
- C. 4-20mA
- D. Pt100
- E. Pt1000
- F. NTC(3K,5K,10K)
- G. Pt100 / 0-10VDC
- H. Pt1000 / 0-10VDC
- I. NTC / 0-10VDC
- J. Pt100 / 1-5VDC
- K. Pt1000 / 1-5VDC
- L. NTC / 1-5VDC
- M. Pt100 / 4-20mA
- N. Pt1000 / 4-20mA
- O. NTC / 4-20mA
- P. 1-5VDC / 1-5VDC
- Q. 4-20mA / 4-20mA
- R. RS-232
- S. RS-422
- T. RS-485

## Technical Data

Supply Voltage	24 VAC/DC	Sensing Time	4...20 Sec
Output Signal	0...10Vdc/4 ~ 20 mA	Working Temperature	-20 ~ +60 °C
Range	-20 ~ +60°C; 0...100% RH	Storage Temperature	-10 ~ +80 °C
Sensing Element	CMOS-Bandgap(SMD) (Temp.) Capacitive Polymer Cell (RH)	Ambient Humidity	5 ~ 95 % Rh
Accuracy	+/- 0.2°C, at 25°C +/- 2%, at 10...90% RH	Protection Class	IP 30(EN60529)
Wiring	4/6 Wire	Weight	0.2 Kg
		Dimension	70(w) x 114(h) x 30(d) mm

## Dimensions



## Wiring

