



**The ZDT/HT is a duct mounted transmitter for measuring temperature and humidity in air-conditioning ducts**

- Output signal 4...20 mA
- Accuracy +/- 0.2°C; +/- 2% RH
- Measuring range -20...+80°C; 0...100% RH
- Quick response time

#### Function

ZDT/HT is intended for mounting in air-conditioning ducts for measuring air temperature and humidity. The transmitter is supplied with a duct mounting bracket for easy insertion and removal of the transmitter and is available with 4...20 mA current output signals, 4 or 6 wire.

The sensor should be mounted at a location where the air flow is constant to measure the average spot parameters. If possible, mount the unit away from air turbulences and away from immediate cooling coil to avoid water condensation.

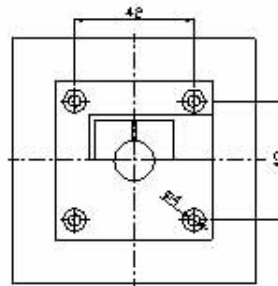
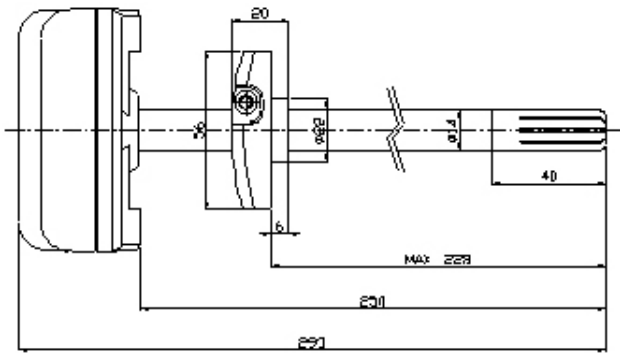
#### Model

	No. of Wires	Output
ZDT/HT-420/4	4 wire	4...20mA
ZDT/HT-420/6	6 wire	4...20mA

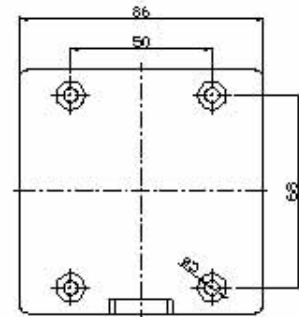
## Technical Data

Supply Voltage	DC 15 ~ 30V	Sensing Time	5...20 Sec(temp); 4...5 Sec(RH)
Output Signal	4 ~ 20 mA	Working Temperature	-10 ~ +60 °C
Range	-20 ~ +80°C; 0...100% RH	Storage Temperature	-10 ~ +80 °C
Sensing Element	Capacitive Polymer Cell	Ambient Humidity	5 ~ 95 % Rh
Accuracy	+/- 0.2°C, at 20°C	Protection Class	IP 30(EN60529)
	+/- 2% , at 10...90% RH	Weight	0.29 Kg
Wiring	4/6 Wire	Dimension	86(w) x 86(h) x 43(d) mm

## Dimensions



USING BRACKET



NOT USING BRACKET

## Wiring

