



The ZRT/HT is a wall mounted room transmitter for measuring temperature and humidity in enclosed space

- Output signal 4...20 mA
- Accuracy +/- 0.2°C (temp); +/- 2% (RH)
- Measuring range -10..50°C; 10...90% RH
- Quick response time

Function

ZRT/HT is intended for wall mounting for measuring temperature and humidity in ambient space.

The transmitter is supplied with a wall pattress and is available with 4...20 mA current output signals, 4 or 6 wire.

The sensor should be mounted at a height of 1.5 m.

If possible, mount the unit away from windows, door, air ventilation holes, near to heat sources to prevent errors in measurement

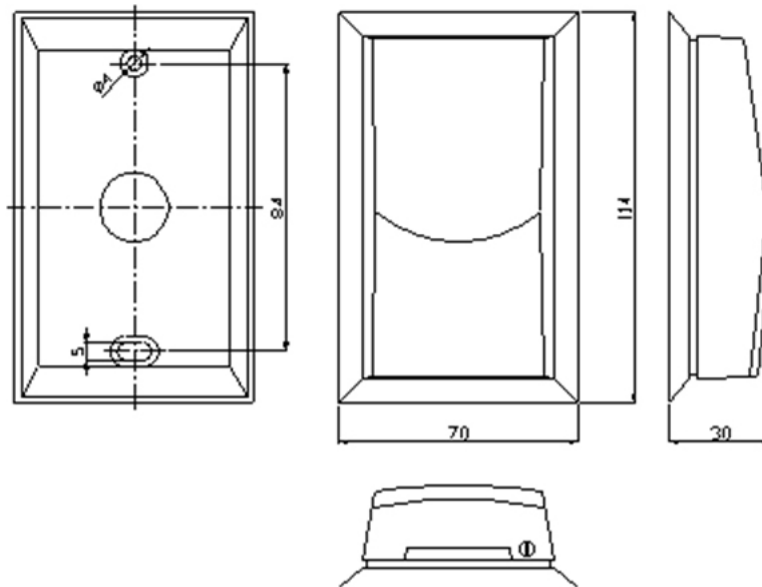
Model

	No. of Wires	Output
ZRT/HT-420/4	4 wire	4...20mA
ZRT/HT-420/6	6 wire	4...20mA

Technical Data

Supply Voltage	DC 15 ~ 30V	Sensing Time	5...20 Sec(temp); 4...5 Sec(RH)
Output Signal	4 ~ 20 mA	Working Temperature	-10 ~ +60 °C
Range	-10 ~ +50°C; 0...100% RH	Storage Temperature	-10 ~ +80 °C
Sensing Element	Capacitive Polymer Cell	Ambient Humidity	5 ~ 95 % Rh
Accuracy	+/- 0.2°C, at 25°C	Protection Class	IP 30(EN60529)
	+/- 2%, at 10...90% RH	Weight	0.1 Kg
Wiring	4/6 Wire	Dimension	70(w) x 114(h) x 30(d) mm

Dimensions



Wiring

