



The ZRTS is a wall mounted room sensor for measuring temperature in enclosed space. Using resistance temperature sensing elements, it provides a cost effective solution for simple temperature measurement.

- Output signal Pt100, Pt1000, NTC10k
- Accuracy +/- 0.3°C
- Measuring range -10..+70°C
- Quick response time

Function

ZRTS is intended for wall mounting for measuring temperature in ambient space.

The sensor is supplied with a wall pattress and is available with different sensor type, 2 or 3 wire.

The sensor should be mounted at a height of 1.5 m.

If possible, mount the unit away from windows, door, air

ventilation holes, near to heat sources to prevent errors in measurement

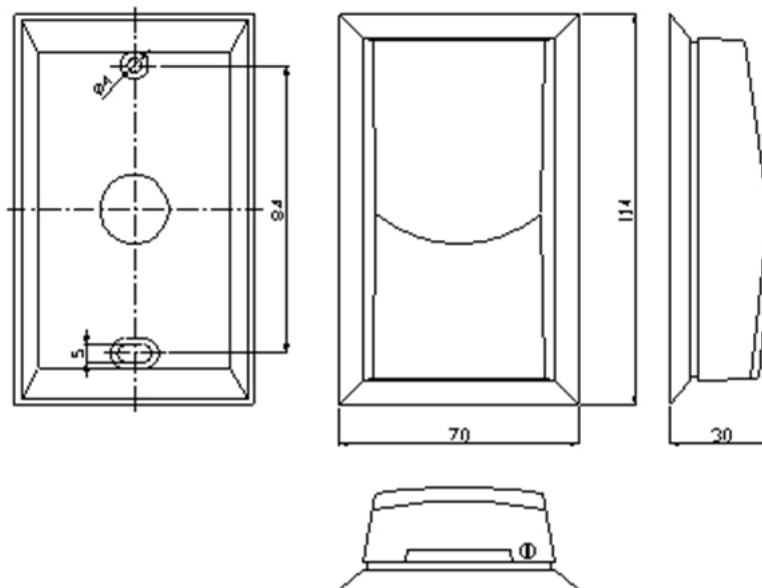
Model

	No. of Wires	Sensor type
ZRTS-Pt100	3 wire	Pt100
ZRTS-Pt1000	2/3 wire	Pt1000
ZRTS-NTC10k	2 wire	NTC10k

Technical Data

Sensing Element	PT100	PT1000	NTC10K
Sensing Range	-10 ~ +70°C	-10 ~ +70°C	-10 ~ +70°C
Accuracy	+/- 0.3°C	+/- 0.3°C	+/- 0.3°C at 25°C
Wiring	3 Wire	2/3 Wire	2 Wire
Sensing Time	Approx. 8 min	Approx. 8 min	Approx. 8 min
Working Temperature	-30 ~ +150 °C		
Storage Temperature	-10 ~ +80 °C		
Ambient Humidity	5 ~ 95 % Rh		
Protection Class	IP 30		
Weight	0.06 Kg		
Dimension	70(w) x 114(h) x 30(d) mm		

Dimensions



Wiring

