



The ZLK-01B is a heavy duty flow switch which interrupts the electric control circuit of the boiler/chiller when there is insufficient water circulation in the boiler/chiller pipe owing to some abnormal condition. The flow switch is operated by an electrical blade-type tripping device (stainless steel blade) and can be installed on pipework from 1" to 8" in diameter.

- Suitable for pipes from 1" to 8"
- Applicable to chilled/hot water system
- Plastic coated steel casing and cover
- 1 inch external screw joint; easy mounting
- Dependable mechanism and durable parts
- Spray and dust proof to IP54

Installation

Mount the flow switch so that the direction indicated by the arrow coincides with the flow.

For correct operation it is advisable to: -

- mount on the return pipe
- mount on horizontal pipe (mounting on vertical piping is possible after appropriate setting)
- keep a certain distance from sources of turbulences (elbows, valves, etc); recommended min. distance is equal to 5 times the pipe diameter
- keep a min. distance of 55 mm between the pipework and the lower base of the appliance.

Adjustment of flow rate setting

Setting of the flow switch is by means of adjustment screw. To obtain minimum flow rate setting, the adjustment screw is fully tighten. Fully loosen the screw to have maximum flow rate setting. The following table shows the flow rates that can be monitored for different pipes sizes using different blade lengths. The flow switch is supplied ex-factory with the setting screw fully tightened (minimum setting).

Flowrate Setting

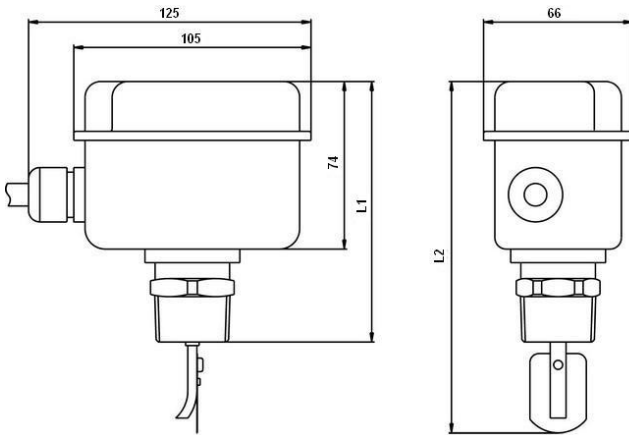
Pipe Size(mm)	Blade Length(mm)	Flowrate with min setting(m3/h)		Flowrate with max setting(m3/h)	
		Cut in	Cut out	Cut in	Cut out
25	34	0.9	0.4	2.0	1.5
32	34	1.2	0.6	2.6	1.9
40	57	1.6	0.9	3.3	2.6
50	57	3.2	2.2	7.1	5.1
65	88	4.2	3.5	8.0	7.0
80	88	6.3	5.7	12.0	10.5
100	88	13.5	12.0	28.0	26.0
125	167	12.1	9.0	30.0	28.0
150	167	17.2	12.0	35.0	32.0
200	167	42.0	36.0	90.0	85.0

Technical Data

Contact data	15(6) A, 250 VAC, changeover contact (SPDT)
Max. fluid pressure	10 bar tested to 15 bar
Max. fluid temperature	110°C
Storage temperature range	-20...+80°C
Weight	800 g
Degree of protection	IP54

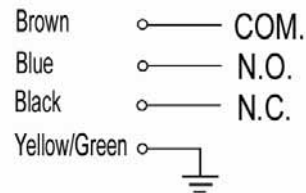
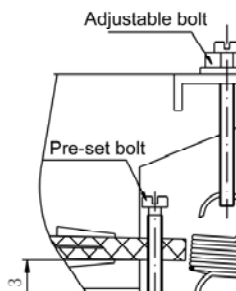
Body casing and cover	Plastic coated steel
Bellows	Tin bronze
Blade	Stainless steel (*)
Fitting	Forged Brass, 1" male
(*) Blade length varies according to the pipe diameter (see table)	

Dimensions



PIPE DIA.	3/4"	1"	1 1/4"	1 1/2"	2"	2 1/2"	3"	4"	5"	6"	8"
L1	102	115	115	115	115	115	115	115	115	115	115
L2	134	155	155	178	178	209	209	209	288	288	288

Adjustment Mechanism & Wiring Diagram



The normally open (N.O.) contact will close to indicate there is flow. It will open to indicate there is no flow.

The pre-set bolt has been adjusted by the factory. Users are advisable not to adjust it at site. The adjustable bolt, however, can be adjusted and set according to special requirements.