



PS is a differential pressure switch for supervising air handling units. It is used, for example to monitor overpressure, vacuum and differential pressure for air and compatible gases. Possible applications are for air filters and ventilators, monitoring air pressure status in heating and cooling circuits and to monitor flows in ventilation duct.

- For differential pressure up to 500 Pa
- Lowest setpoint value 20 Pa
- Compact format
- Easy to mount bracket
- Excellent long-term stability
- Can be used at temperatures down to -20°C

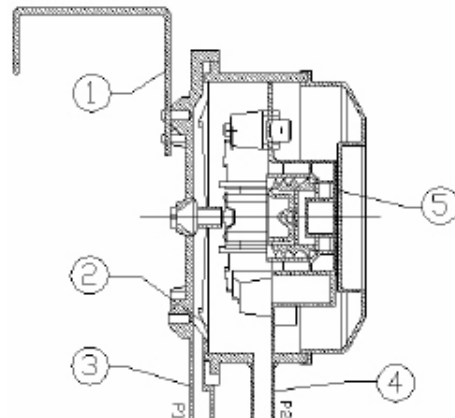
Function

The pressure that is connected to P1 is compared with the pressure connected to P2. When the differential pressure exceeds the setpoint value the contact makes. When the pressure switch is used to supervise a fan, one of the pressure connections can be left open, (atmospheric pressure).

The setpoint value is set using the knob under the lid and is visible through the lid.

The hysteresis is preset in the factory before delivery. The lid is secured with a screw to facilitate mounting and service. Standard accessories are included to ease installation.

- 1 - Bracket for installation
- 2 - Diaphragm
- 3 - P1 high pressure or low vacuum
- 4 - P2 low pressure or high vacuum
- 5 - Scale knob (switching point setting)



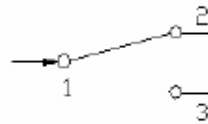
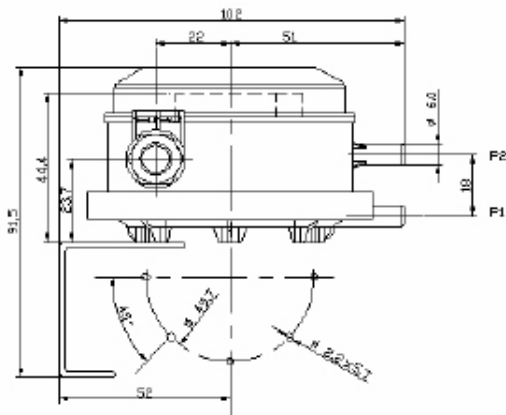
Models

Type	Pressure range	Hysteresis (P)
PS-2030	20...300 Pa	10 Pa
PS-5050	50...500 Pa	30 Pa

Technical Data

Adjustable range	2 ranges selectable, see models
Pressure limit	7500Pa (-30T75)
Working temperature limit	-20~ 85°C.
Storage temperature limit	-40~85°C
Pressure connection	ø6.0mm plastic pipe, P1 high and P2 low pressure
Service life	over 10 ⁶ switching cycles
Electric Contact	SPDT, max 2A/250VAC, max frequency 6 switching cycles/min
Electrical connection	3 screw terminals
Repeatability	±2%
Materials	housing PC, cover PC, diaphragm silicone and contact silver
Weight	140g with bracket, 90g without bracket
Protection	IP54 with cover
Installation	vertical, pressure ports P1 and P2 downward. This is the factory-calibrated position.

Dimension & Wiring Diagram



- 1 Com
- 2 Normal close contact
- 3 Normal open contact