



The ZRT5000 mechanical thermostats are widely used in commercial, industrial and residential buildings. They are suitable for room temperature control of HVAC system, especially for fan coil unit with multiple speed motor. The thermostat is easy to install, with high sensitivity and reliability.

- With smart and simple housing.
- Adjustable setpoint with large knob.
- Min and max setpoint limitation
- Heat/Off/Cool and 3 speed selection switch
- Unipolar gas filled bellow
- High sensitivity and reliability
- Flow through temperature sensing

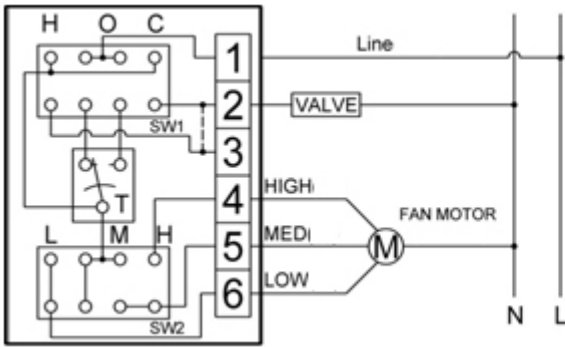
Technical Data

Sensor element	Unipolar gas filled bellow	Outputs
Ambient temperature	0...50°C	Thermostat 1 A 250 V AC. SPDT
Storage temperature	-40...+50°C	Fan switch 6 (2) A 250 V AC (Total load, actuator + fan)
Ambient humidity	Max 90% RH	Settings
Protection class	IP20	Setpoint 10...30 °C
Housing	Fire retardant ABS plastic	Hysteresis 0.5...0.8 K

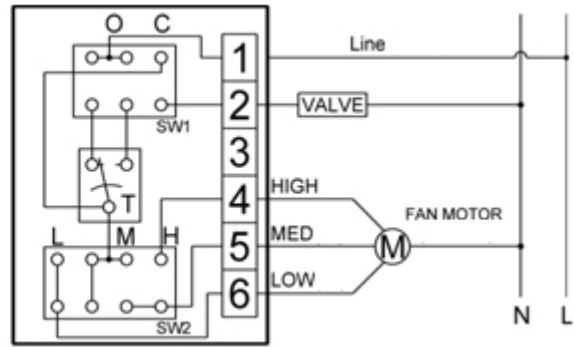
Model

ZRT5000A	System HEAT-OFF-COOL; Fan HIGH-MED-LOW
ZRT5000B	System ON-OFF; Fan HIGH-MED-LOW

Wiring Diagram



ZRT5000A



ZRT5000B

For 4-pipe application, terminal "3" connect with heating valve; terminal "2" connect with cooling valve.

Installation Diagram

