



The ZRT03 mechanical thermostats are widely used in commercial, industrial and residential buildings. They are suitable for room temperature control of HVAC system, especially for fan coils, electrical heaters, etc. The thermostat is easy to install, with high sensitivity and reliability.

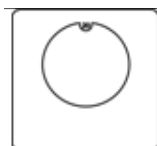
- With smart and simple housing.
- Adjustable setpoint with large knob.
- Min and max setpoint limitation
- Unipolar gas filled bellows
- High sensitivity and reliability
- Flow through temperature sensing

**Technical Data**

Ambient temperature	0...50°C	<b>Output</b>	
Storage temperature	-40...+50°C	Relay One changeover contact	1 A 250 V AC
Ambient humidity	Max 90% RH	<b>Setting</b>	
Form of protection	IP30	Setpoint	10...30°C, mechanically limited
Housing	Fire retardant ABS plastic	Hysteresis	0.5...0.8 K

**Model**

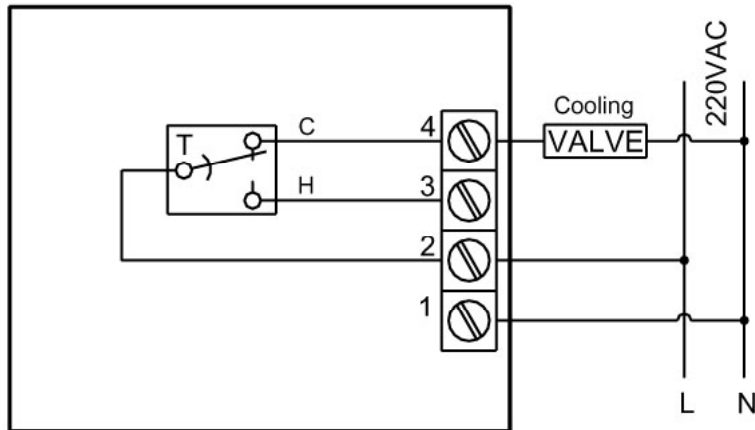
**ZRT03A**  
Dimension 73 x 73 x 38 mm  
Design



**ZRT03B**  
Dimension 73 x 73 x 41 mm  
Design



## Wiring Diagram



For 4-pipe application, terminal "3" connect with heating valve; terminal "4" connect with cooling valve.

## Installation Diagram

