



The ZRE05U modulating temperature controller uses the latest state of the art MCU technology for maximum functions in the smallest package. They are reliable, easy to operate with push buttons and an easy to read LCD display. The slim design for flush mounting allows matching with light switches for aesthetic design.

- Microprocessor based
- Digital LCD display with EL backlighting
- Wiring and display in one module
- NTC thermistor sensor - internal or external
- Slim design for flush mounting
- Automatic closing of valve when off

Function		
Front buttons	<p>⏻ Power on/off</p> <p>▲ Increase set point temp</p> <p>▼ Decrease set point temp</p> <p>Mode : Select heating or cooling</p>	<p>During system operation, when the user presses the cool/heat selection button, the cool/heat state will change over, cool/heat (☀/❄) symbol will also show on the display.</p> <p>When user presses the increase/decrease button, the LCD will display temperature setting at 0.5°C step.</p> <p>If the built-in NTC thermistor is used, the jumper J1 should be put to "Int" position (Ex-factory setting position is "Int"). If the external NTC sensor is used, the jumper J1 should be put to "Ext" position.</p>
<p>When the controller is initially power up, it will return the valve to the close position for 150 secs. It will start modulating the valve when user presses on/off button to maintain the set temperature. During system operation, when the user presses the on/off button again, the LCD will turn off, the valve will return to close position for 150 secs.</p>		

Model	
ZRE05U	PI/Floating temperature controller, 24 VAC

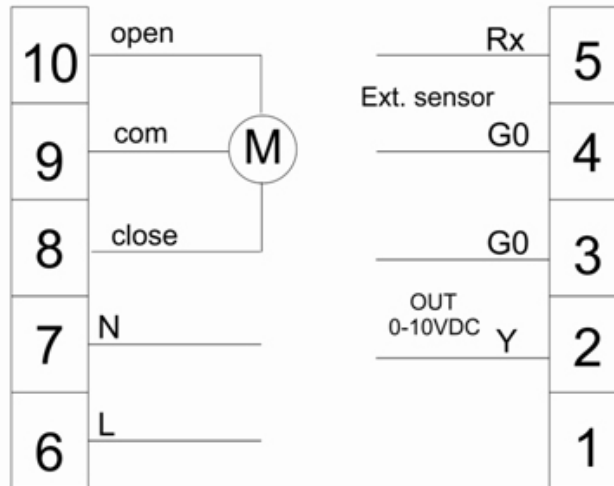
Option: 230 VAC available as option

Technical Data

Supply voltage	230V/24 VAC 50/60 Hz $\pm 20\%$
Power consumption	0.6 VA (24VAC), 6VA (230VAC)
Ambient temperature	0 to 50°C
Storage temperature	-40 to 50°C
Ambient humidity	Max 85% RH
Protection class	IP20
Housing	Flame retardent plastic
Dimension	86mm x 86mm x 32.5mm

Inputs	
Sensor type	Thermistor (NTC) 10K at 25°C, +/- 0.5°C
Outputs	
Valve output	2 x Triacs (3-point), 24 VAC/1A 0...10 Vdc, 10 mA
Setting	
Setpoint	10 to 30 °C
Default setpoint	23 °C

Wiring Diagram



Installation Diagram

