



The ZTC2009 Series Fan Coil Unit room thermostat makes use of the most advance microcomputer control CMOS chip. It can inspect the environment temperature through the internal NTC sensor. By comparing the ambient room temperature with setting temperature, it can control the value to reach the comfortable and constant temperature.

- Fashionable Design
- LCD Screen Display
- Brief and Convenient Sliding Switch
- Energy Saving-Key Card (optional)
- Easy Installation
- Suitable for Asian, European and American market

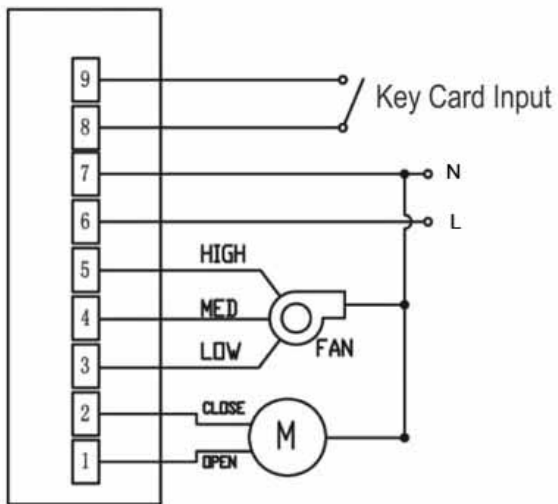
Thermostat Function Keys

O	OFF	↺	Low Speed
I	ON	↻	Med Speed
+	Increase Temperature	↻	High Speed
-	Decrease Temperature	M	Mode Button

Technical Data

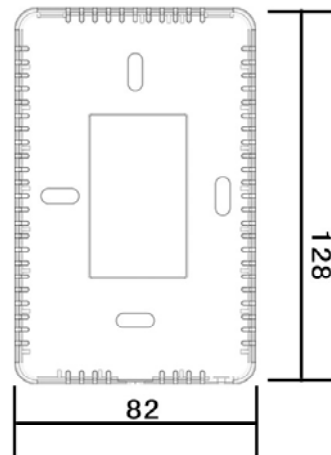
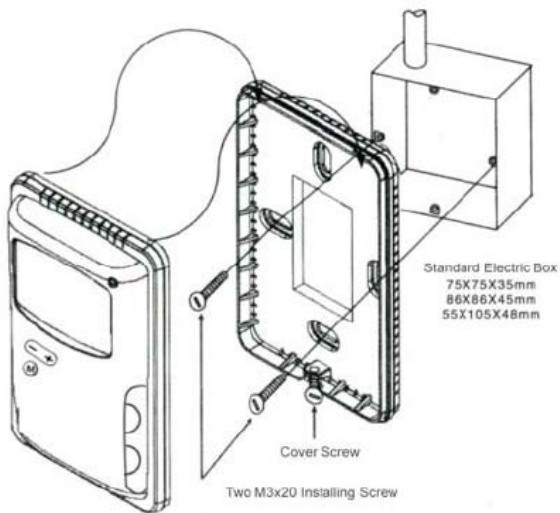
Voltage	230 VAC ± 50/60Hz	Load Current	<1A
Power consumption	<1.5W	Output Power	<200W
Range	10 °C ~ 30 °C	Accuracy	± 1°C

Wiring Diagram



ZTC2009

Installation



Size: 128 X 82 X 27 mm