



ZTC2008



Power Unit

The ZTC2008 touch screen temperature controller uses the latest state of the art MCU technology for maximum functions in the smallest package. They are reliable, easy to operate with touch screen push buttons and an easy to read LCD display. Temperature and fan reset by key card make it suitable for energy efficient installations.

- Microprocessor based
- Digital LCD display, EL backlight
- Touch screen input
- NTC thermistor sensor - internal or external
- Slim design for flush mounting
- Hotel key card interface for energy saving

Function Keys

<p>Front buttons</p> <ul style="list-style-type: none"> Power on/off Increase set point temp Decrease set point temp Heating, Cooling or Ventilation Auto, Low, Medium, High <p>Menu setting - Press button for 3 secs to activate sleep mode, changeover time, and time settings.</p>	<p>Parameter adjustment - (Switch power to Off). Touch the and the button together for 3 secs to enter adjustment setting. Adjustment mode</p> <ol style="list-style-type: none"> 1- Temperature sensor off-set. -9 to +9 2- Unoccupied mode add-on temperature. 3°C to 8°C 3- Cool/Heat; Cool only; Heat only selections. 4- P-Band setting. 4,6,8 & 10K (PI model only) 5- I-Time setting. 1 to 59 minutes (PI model only)
---	---

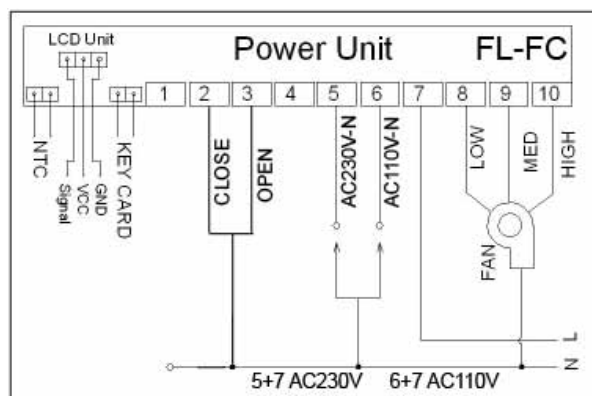
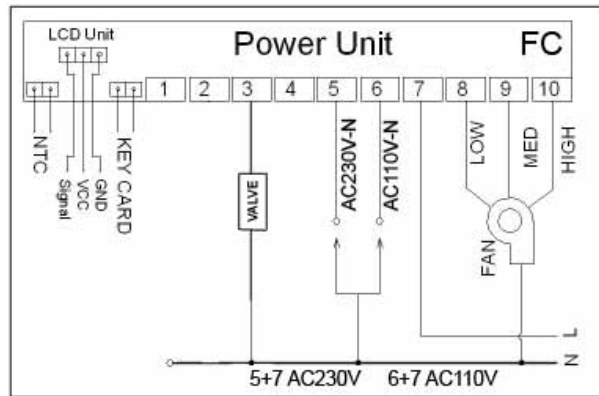
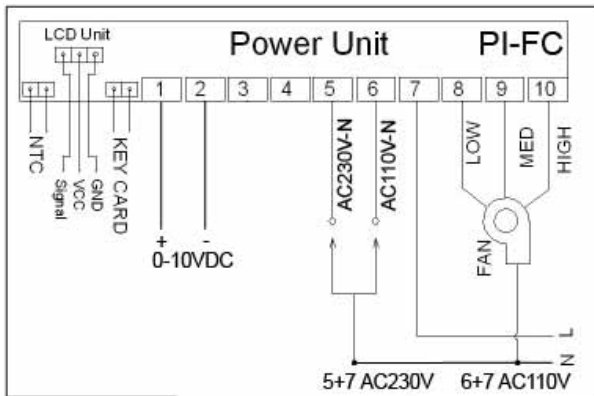
Technical Data

<p>Supply voltage 230/110 VAC 50/60 Hz ±10%</p> <p>Power consumption 1.5 W</p> <p>Ambient temperature 0 to 55°C</p> <p>Storage temperature -10 to 60°C</p> <p>Ambient humidity Max 85% RH</p> <p>Protection class IP20</p> <p>Housing ABS + UL94-5 VA fire retardant plastic</p>	<p>Inputs</p> <p>Sensor type Thermistor (NTC) 10K at 25°C, +/- 0.5°C</p> <p>Outputs</p> <p>Valve output 0-10vdc; On/Off 230vac; 3-point 230vac. (Depending on models)</p> <p>Fan output 230 VAC, 400 Watts</p> <p>Setting</p> <p>Setpoint 10 to 50°C</p> <p>Default setpoint 23°C</p>
--	--

Model

ZTC2008PI-FC	Wall Mounted Touch Screen Temperature Controller, 0-10Vdc
ZTC2008-FC	Wall Mounted Touch Screen On/Off Thermostat
ZTC2008FL-FC	Wall Mounted Touch Screen Floating 3-point Controller

Wiring Diagram



Installation Diagram



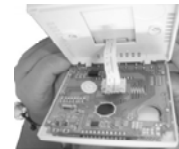
The power unit is installed into the FCU electrical box and wired to the power supply, fan terminals and valve actuator



The LCD unit is separated from the back plate with the use of a small screw driver. Twist the screw driver slightly to allow the LCD unit to be lifted off the back plate



The back plate is then mounted to the electrical box using the 2 screws provided



Plug the cable assembly from the power unit into the LCD unit ensuring correct alignment and no twisting



The LCD unit is then snapped back into the back plate aligning the catch with the hooks on the unit