



The ZSVD fan coil valve is a high quality valve designed to use with the Z3PLA, 3 position linear actuator. It is use for three position (floating) control of hot or cold water in heating and cooling HVAC systems. It features a bi-directional synchronous motor for low voltage operation designed for long life trouble free operation. The valves are equipped with spring return mechanism.

- Low cost
- Tight shut-off
- Plastic housing (condensation free)
- Spring loaded valve
- Close-off pressure up to 400 kpa
- Available for 24VAC, 110VAC, 220/240VAC

Function

The ZSVD series two position valves are designed to control heating or cooling water. The Z3PLA series of actuators are designed to withstand high moisture conditions found in many concealed installation.

Function

The actuator is driven by a bi-directional synchronous motor with a magnetic clutch. Through the use of the magnetic clutch, the motor can generate stable torque in pause situation. So the motor can stop at any point if there is no current passing through it. The actuator can therefore be positioned with an increase or decrease signal.

Actuator

The actuator must be protected from water leakage that may damage internal parts and motor.

The actuator must not be covered with heat insulation materials.

Installation

The valves are to be mounted according to the flow direction marks on the valves.

To ensure tight closure and prevent noise when closing, the valves are to be mounted on the return line of a coil.

The 3-way valve is of mixing type and should be mounted on the return line.

The valves are recommended to be mounted with the actuator in an upright or side position.

Models

2-way	3-way	Connection	Kv	+Pc	Actuator
ZSVD215	ZSVD315	DN15	Kv2.0	400kPa	Z3PLA
ZSVD220	ZSVD320	DN20	Kv2.8	400kPa	Z3PLA
ZSVD225	ZSVD325	DN25	Kv4.6	400kPa	Z3PLA
ZSVD232	ZSVD332	DN32	Kv8.5	400kPa	Z3PLA

Technical Data

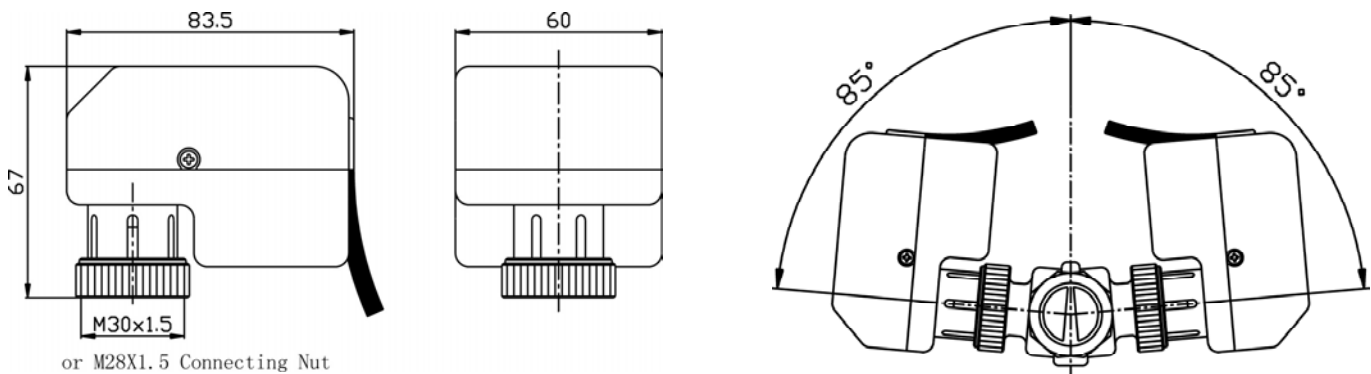
VALVES

Valve type	2/3 way piston valve
Pressure class	PN 16 (250 psi)
Fluid temperature	5 to 95°C
Ambient operating temperature	0 to 60°C
Stem stroke	4.5 mm
Leakage	none
Valve body	Forging brass HPb59-1
Stem & spring	stainless steel
Piston	FRPA-66
Valve packing	Nitrite rubber

ACTUATORS

Supply voltage	24V, 110V, 220/230V AC
Power consumption	3VA (24V), 5VA (230V)
Ambient operating temperature	2 to 55 °C
Motor	bi-directional synchronous
Force	200 N
Full stroke	8 mm
Connector	M30 x 1.5
Positioning time	50Hz: 10sec/mm 60Hz: 8.3sec/mm
Protection class	IP40
Weight	0.32 kg
Chassis & cover	Fire retardant ABS plastic

Dimensions



Wiring Diagram

