



The ZSVD series of spring loaded fan coil valve is a high quality piston valve and when coupled with the electrothermal actuator provides very reliable on-off control action. The ZSVD valve is normally closed by spring action within the valve and required a push-to-open action from the actuator to operate.

- Low cost
- Tight shut-off
- Valve & actuator can be installed separately
- High force actuator
- Spring loaded NC valve
- Simple actuator latch on installation

**Function**

The ZSVD series two position valves are designed to control heating or cooling water. The ZTAD series of actuators are designed to withstand high moisture conditions found in many concealed installation.

**Function**

Valves are operated by an electrothermal actuator. Upon demand, a normally closed valve is opened by the command signal of the thermostat. When the temperature is satisfied, a spring returns the valve to the closed position.

**Actuator**

The actuators are in plastic casing, standard voltage is 220 VAC. Other voltages on request. A release button allows easy detaching of the actuator for servicing or replacement.

**Installation**

The valves are to be mounted according to the flow direction marks on the valves.

To ensure tight closure and prevent noise when closing, the valves are to be mounted on the return line of a coil.

The 3-way valve is of mixing type and should be mounted on the return line.

The valves are recommended to be mounted with the actuator in an upright or side position.

**Model Selection**

2-way	3-way	Connection	Kv	+Pc	Actuator
ZSVD215	ZSVD315	DN15	Kv2.0	250kPa	ZTAD
ZSVD220	ZSVD320	DN20	Kv2.8	150kPa	ZTAD

## Technical Data

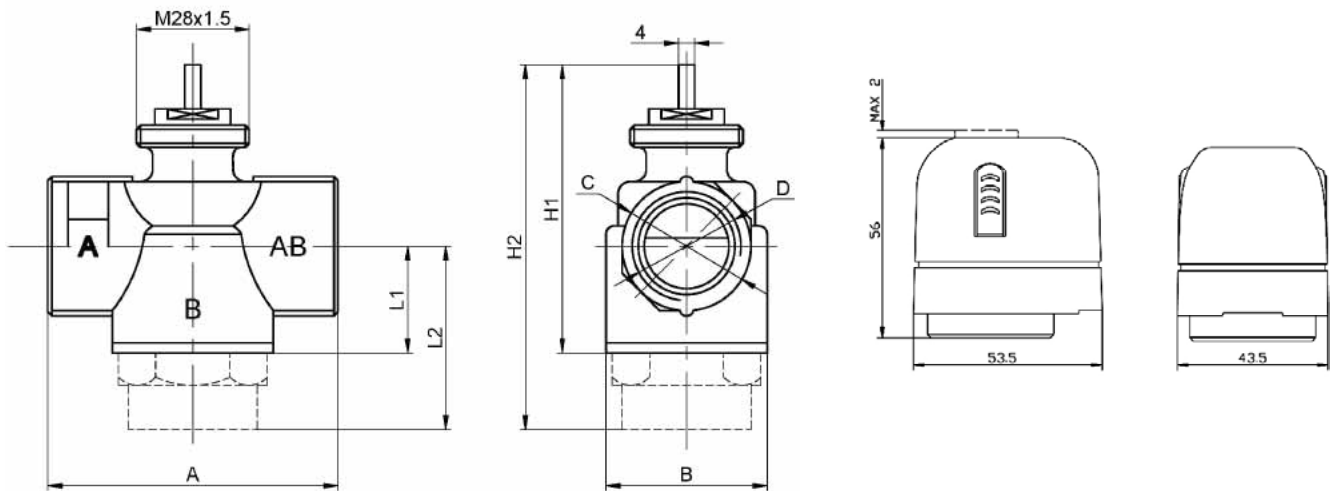
### VALVES

Valve type	2/3 way plug valve
Pressure class	PN 16 (250 psi)
Fluid temperature	5 to 95°C
Ambient operating temperature	0 to 60°C
Stem stroke	4.5 mm
Leakage	none
Connections	Female thread BSP
Body material	Forged brass
Valve plug	NBR
Valve stem	Stainless steel

### ACTUATORS

Supply voltage	24V, 110V, 220/230V AC
Power consumption	1.1 VA
Ambient operating temperature	-0.5 to 40 °C
Control Element	Electrothermal wax sensor
Force	80 N <= F < 130 N
Full stroke	4.5 mm
Connector	M30 x 1.5
Positioning time	5 - 6.5 minutes
Protection class	IP40
Weight	94 g
Chassis & cover	PA6110

## Dimensions



	A	B	C	D	L1	L2	H1	H2
DN15	66	38	28	G1/2	25	42	67	87
DN20	72	40	32	G3/4	26.5	45.5	71.5	90.5
DN25	89	51	40	G1	28.5	49.5	76.5	97.5
DN32	90	54	48	G1 1/2	34.5	56.5	87.5	109.5

## Assembly & Disassembly

