



ROOM THERMOSTAT ZET350

For Line Voltage equipment with 0-10VDC control of Fan Coil or Heat Pump Units

General

The ZET350 Series room thermostats provide 0-10VDC proportional control, consistent performance and contemporary styling. The series controls a variety of two-pipe and four-pipe fan coil systems as well as other heating and cooling applications.

ZET350 is an electronic thermostat for room mounting which features 10k ohm NTC thermistor temperature sensing element and single relay output. The thermostat can also control the fan speed with three position continuously.

Features

- Attractive contemporary styling
- High quality NTC sensing element
- System "OFF" position breaks all circuits
- Fan speed control
- On-site calibration is not necessary
- All slide switches for ease of operation
- Easy wire termination
- Built-in / external sensor
- Customization available

Ordering Instruction

To order, please specify complete product model number.

Option

Remote sensor: ZTE10-1
Duct Type Sensor: ZTE10-2
Remote sensor plug: RSL

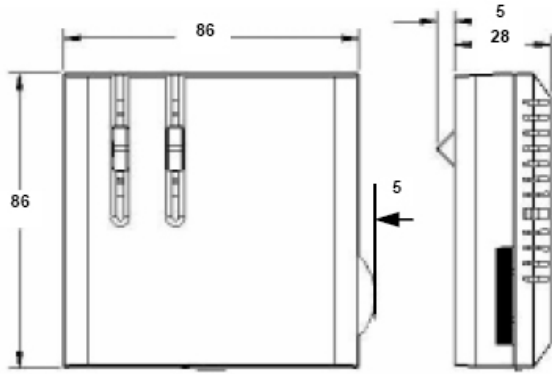


Specifications

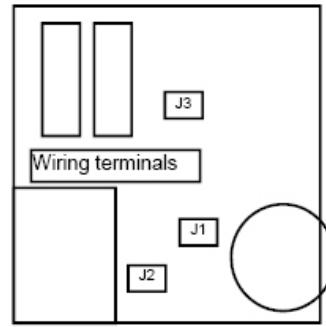
Voltage	220 VAC +/- 10%
Operating Differential	Approximately 1K
Range	0 ... 30°C
Sensing Elements	10k ohm NTC
Housing Materials	Self-extinguishing, molded ABS
Electrical Rating	
Relay	1 Ampere, 220 VAC
Switches	6A resistive, 4A inductive
Ambient Limitations	0 ... 50°C
Wire Connection	Screw-down connection, wire size 1mm ² or 18AWG
Shipping Weight	120 g

The specification above are normal and conform to generally acceptable industry standard. Zicon is not responsible for damages resulting from misapplication or misuse of its products.

Dimensions in mm



PCB layout



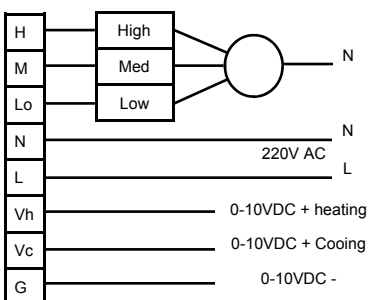
Models

Model	ZET351	ZET352	ZET353
On/Off system switch	X		
Heat/Off/Cool system switch		X	X
3-speed Fan switch	X	X	X
Remote sensor connection	X	X	X

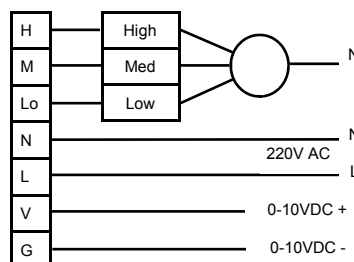
Remarks:

The thermostat features built-in NTC sensor and the jumper J1 is insert onto the upper two pins, insert J1 head jumper to lower two pins if remote sensor is connected to J2 remote sensor socket. J3is only available on ZET351, the unit falls into cooling mode with Vc output if J3 is insert onto the upper two pins. To switch to heating mode with Vh output, insert J3 onto lower two pins.

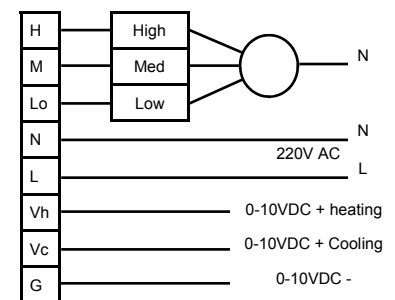
Typical Wiring Diagram



ZET351
Heating only or Cooling only
2-pipe system



ZET352
Heat / Cool 2-pipe System



ZET353
Heat / Cool 4-pipe System