



ZDAK floating damper actuator uses bi-directional AC motor. It is compact, small volume, smart design, and has high IP class and various torques. It is widely used for damper control in air-conditioning system, and angular travel control and zone valve control in water circuit.

- Various Torques
- Simple Installation
- High Dependable Performance
- Manual Override
- Simple and Convenience Function Testing
- End Limits Auto Stop Protection

Technical Data

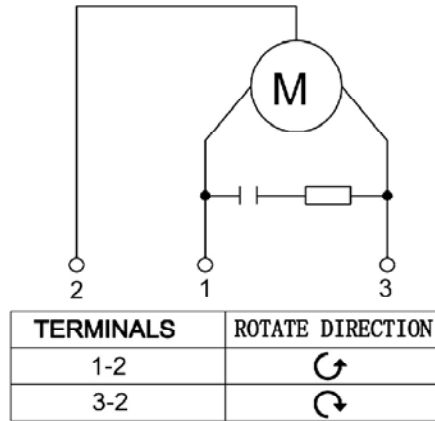
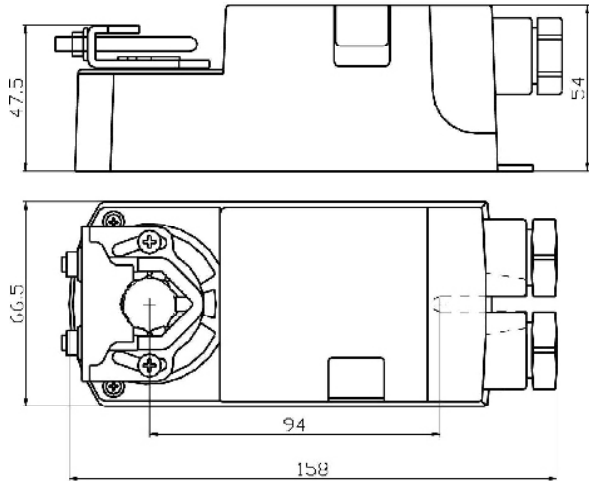
MODEL	ZDAK02	ZDAK04	ZDAK06	ZDAK08	ZDAK10
TORQUE	2 Nm	4 Nm	6 Nm	8 Nm	10 Nm
OPERATION TIME (50Hz, 90°)	approx. 108 seconds				
POWER CONSUMPTION	3VA for 24V, 110V products; 6VA for 230V products				
CABLE	0.5...1.5mm ²				
ROTATE ANGLE	90° < Mechanical limitation < 95°				
NOISE LEVEL	Maximum 45dB(A)				
IP CLASS	IP 54				
AMBIENT TEMP.	-5° to +50°				
STORAGE TEMP.	-30° to +70°				
USEFUL LIFE	>60000 cycles				

Model Selection

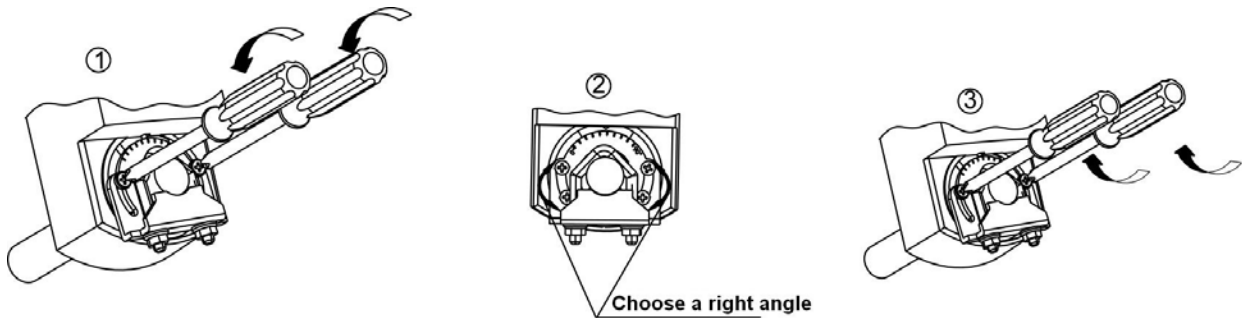
ZDAKXX-XXX

- | | |
|--|---|
| <p>TORQUE CODE:</p> <ul style="list-style-type: none"> 02: 2 Nm 04: 4 Nm 06: 6 Nm 08: 8 Nm 10: 10Nm | <p>VOLTAGE CODE:</p> <ul style="list-style-type: none"> 24: 24 VAC 110: 110 VAC 120: 120 VAC 220: 220 VAC 230: 230 VAC |
|--|---|

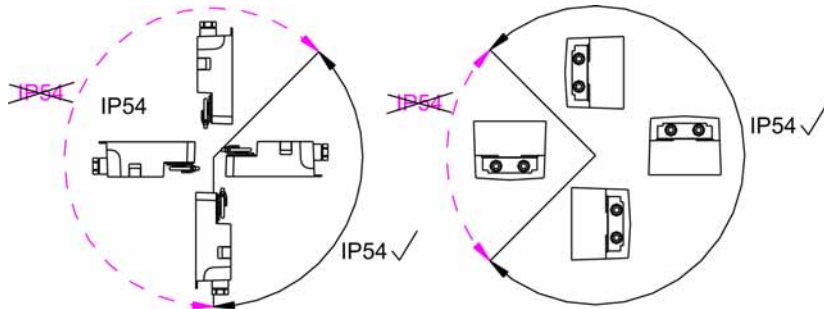
Dimensions (mm) and Wiring Diagram



Limits Settings Diagram



Installation Position & IP Class



Disassembly Wiring Terminal / Manual Operation

