



The ZBVF ball valve coupled with the ZMRA proportional actuator has been designed for AHU or fan-coil control of heating and cooling systems. The actuator is using high durable bi-directional motor and can be used for proportional control of the ZBVF ball valve delivering high closed off pressure rating.

- Low cost
- No leakage
- Valve & actuator can be installed separately
- High torque actuator
- High working pressure of 25 bar
- Full Port or Equal Percentage Characteristics
- Close-off rating approximately 6 bar
- Bi-directional AC motor
- Proportional control
- Built-in micro-switch for power saving
- With manual override
- High control precision and sensitivity
- Low noise level
- Fireproof ABS engineering plastic, to UL94V-0 standard
- Detachable design, easy to install and maintain

**Models**

2-way	Description	Connection	Kv	+Pc
ZBTF265FP	2-way, full port	DN65	128	600kPa
ZBTV265EQ	2-way, equal %	DN65	64	600kPa
ZBTV280FP	2-way, full port	DN80	136	600kPa
ZBTV280EQ	2-way, equal %	DN80	102	600kPa

ZMRA-024E05 0-10vdc proportional actuator, 24vac operation.

ZMRA-024D05 0-10vdc proportional actuator, 24vac operation with LED display.

## Technical data

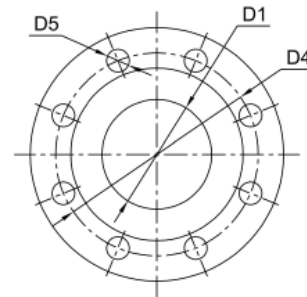
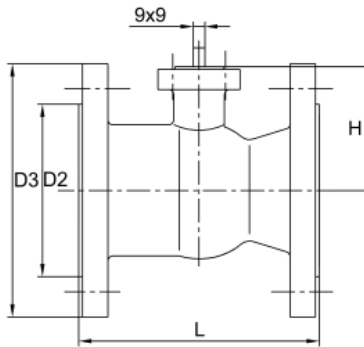
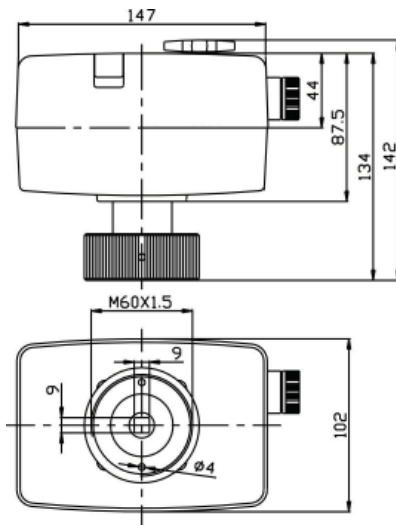
### Valve

Valve type.....2 way ball valve  
 Connection Type.....full port, equal %  
 Pressure class.....PN 25 (360 psi)  
 Fluid temperature.....2°C to 94°C  
 Working media..... Chilled/hot water; 50% glycol  
 Leakage.....none  
 Valve body.....HT250  
 Ball.....304 stainless steel  
 Ball Sealing..... PTFE  
 Stem.....304 stainless steel  
 Seal.....NBR

### Actuator

Supply voltage.....24VAC +/- 10%  
 Power consumption.....5.5 VA  
 Control signal.....0-10Vdc or 4-20mA  
 Ambient operating temperature .....0 to 40°C  
 Torque.....>= 25 Nm  
 Operation time.....55 secs  
 Weight.....0.13 kg  
 Chassis & cover.....polycarbonate/ABS engrg plastic  
 Gear.....POM (polyoxymethylene) + brass  
 Reducer Plate.....stainless steel plate

## Dimensions



DN mm	Dimensions							Qty of Flange Holes	Hole Thread
	L1	H	D1	D2	D3	D4	D5		
65	190	98	82	120	185	145	18	4	M16
80	190	98	82	136	200	160	18	8	M16

## Wiring, Manual Switch, Assembly & Disassembly

