

The ZBVF ball valve coupled with the Z3PRA rotary actuator has been designed for AHU or fan-coil control of heating and cooling systems. The actuator is using high durable bi-directional motor and can be used for on-off function or 3-position control of the ZBVF ball valve delivering high closed off pressure rating.

- Low cost
- No leakage
- Valve & actuator can be installed separately
- High torque actuator
- High working pressure of 25 bar
- Full Port or Equal Percentage Characteristics
- Close-off rating approximately 6 bar
- Bi-directional AC motor
- On/off type or floating type
- Built-in micro-switch for power saving
- With manual override
- High control precision and sensitivity
- Low noise level
- Fireproof ABS engineering plastic, to UL94V-0 standard
- Detachable design, easy to install and maintain

Models

2-way	Description	Connection	Kv	+Pc
ZBTF2100FP	2-way, full port	DN100	218	600kPa
ZBTV2100EQ	2-way, equal %	DN100	163	600kPa
ZBTV2125FP	2-way, full port	DN125	274	600kPa
ZBTV2125EQ	2-way, equal %	DN125	260	600kPa
ZBTV2150FP	2-way, full port	DN150	507	600kPa
ZBTV2150EQ	2-way, equal %	DN150	416	600kPa

Z3PRA-23006 Increase/Decrease 3-point actuator, 230 VAC operation.
 Z3PRA-02406 Increase/Decrease 3-point actuator, 24 VAC operation.

Technical data

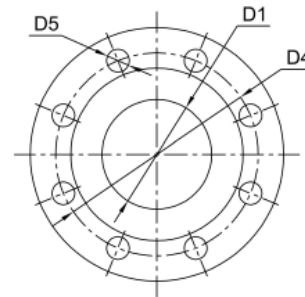
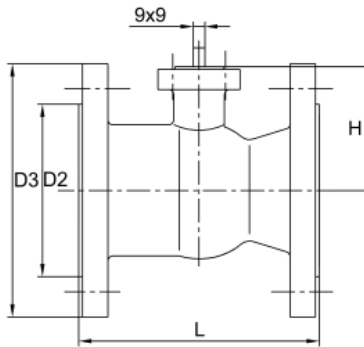
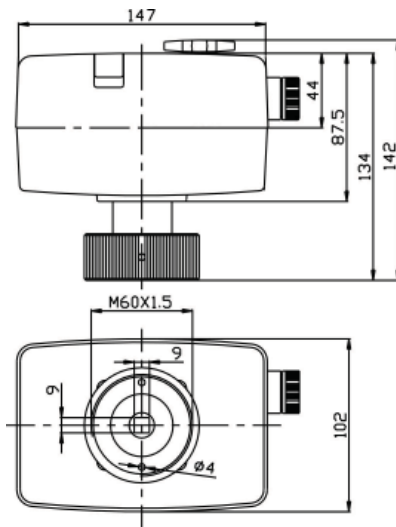
Valve

Valve type.....2 way ball valve
 Connection Type.....full port, equal %
 Pressure class.....PN 25 (360 psi)
 Fluid temperature.....2°C to 94°C
 Working media..... Chilled/hot water; 50% glycol
 Leakage.....none
 Valve body.....HT250
 Ball.....304 stainless steel
 Ball Sealing..... PTFE
 Stem.....304 stainless steel
 Seal.....NBR

Actuator

Supply voltage.....230VAC +/- 10%
 Power consumption.....8.5 VA
 Control signal.....On-off or 3-point
 Ambient operating temperature0 to 40°C
 Torque.....>= 80 Nm
 Operation time.....50 secs
 Weight.....0.13 kg
 Chassis & cover.....polycarbonate/ABS engrg plastic
 Gear.....POM (polyoxymethylene) + brass
 Reducer Plate.....stainless steel plate

Dimensions



DN mm	Dimensions						Qty of Flange Holes	Hole Thread
	L1	H	D1	D2	D3	D4	D5	
100	230	108	102	156	220	180	18	8 M16
125	254	115	125	188	250	210	18	8 M16
150	267	133	154	210	285	240	22	8 M20

Wiring, Manual Switch, Assembly & Disassembly

